

GB Instruction for use

POWERTEX Beam Clamp PBC-S1



User Manual

POWERTEX Beam Clamp PBC-S1 1 – 10 ton Assembly / Instruction for use (GB) (Original instructions)

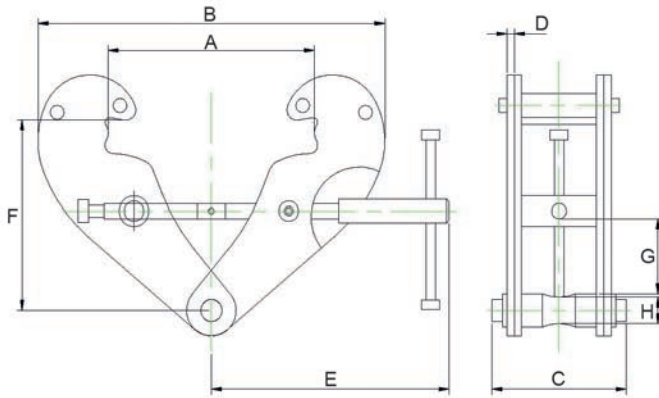
Read through these user instructions carefully before using the beam clamp. Improper operation may lead to hazardous situations!

The POWERTEX beam clamp is designed for mounting on the lower flange of an I-beam for suspending a load or lifting device. The beam clamp is fixed in position with a right-hand and left-hand threaded rod in a scissor construction.

Safety rules

- The beam on which the clamp is to be mounted must be checked by a competent person. This person must assess the beam's load bearing capacity and fixings and its suitability for the purpose.
- Check the beam clamp before use for function and any cracking, deformation or wear.
- Load on the beam clamp must not exceed the maximum load indicated on the rating plate.
- The beam clamp must only be used for beams with a flange width within the range indicated on the rating plate.
- The clamp must be fixed to the beam above the load's centre of gravity.
- Dynamic stresses must be avoided.
- Inclined pulls are not permitted.
- Working temperature: -10°C to +50°C.

Dimensioned sketch



Technical data

Model	WLL (ton)	I beam width range (mm)	A max.	B min.	B max.	C	D	E (mm)	F min.	F max.	G min.	H	Weight (kg)
PBC-S1	1	80-240	270	183	370	94	4	198	100	154	22	20	3,5
PBC-S1	2	80-240	270	183	370	102	6	198	100	154	22	20	4,5
PBC-S1	3	90-330	355	243	500	132	8	263	148	219	46	22	9,5
PBC-S1	5	90-330	355	243	500	142	10	263	148	219	43	28	11
PBC-S1	10	90-350	364	269	521	180	12	285	165	239	51	38	16

Safety factor: 4:1
 Static test coefficient: WLL x 2
 Generally according to EN 13155

Mounting

Open the beam clamp by unscrewing the threaded rod with the handle sufficiently to allow the clamp to enclose the beam. Screw up the beam clamp centrally over the load's centre of gravity. Make sure the arms on the beam clamp have a secure grip on the beam flange. (See dimensioned drawing).
 The load or suspension hook on the lifting device must hang centrally from the bowed centre of the suspension bolt.

Continuous maintenance - lubrication

Bearings and threaded sections and the surface of the suspension bolt in contact with the load hook must be cleaned and lubricated as necessary. Periodic checks must normally be carried out yearly to detect and remedy any faults. Damaged parts must be replaced with original POWERTEX parts. A set of threaded rods and nuts can be ordered through your dealer.
 Contact your dealer for spare parts in general.

Replacing the threaded rod.

- 1 Open the beam clamp as far as it will go.
- 2 Knock the locking pin out of the handle.
- 3 Completely unscrew the threaded rod.
- 4 Remove the old nuts by pressing them out of the beam clamp's arms. Dismantle and clean the spacers.
- 5 Mount the new nuts together with the spacers.
- 6 Oil and screw the new threaded rod into the nuts. Make sure both threads go in simultaneously.
- 7 Screw up until the handle can be mounted and lock with the locking pin.
- 8 Continue screwing to the desired position.

Instruction Grey Label

To change your new POWERTEX Beam Clamp to Blackline: If the product should be used in dark environments, add the grey label on the product's name plate like this. The data on the nameplate should ALWAYS be visible, and must NOT be covered.

If the product is modified in any way, or if it is combined with a non-compatible product / component, SCM Citra OY takes no responsibility for the consequences in regard to the safety of the product

EC Declaration of conformity

SCM Citra OY
 Asessorinkatu 3-7
 20780 Kaarina, Finland
 www.powertex-products.com
 hereby declares that the POWERTEX product as described above is in compliance with EC Machinery Directive 2006/42/EC & EN 13155.

UK Declaration of conformity

SCM Citra OY
 Asessorinkatu 3-7
 20780 Kaarina, Finland
 www.powertex-products.com
 hereby declares that the POWERTEX product as described above is in compliance with the Supply of Machinery (Safety) Regulations 2008 & BS EN 13155.

CertMax+

The CertMax+ system is a unique leading edge certification management system which is ideal for managing a single asset or large equipment portfolio across multiple sites. Designed by the Lifting Solutions Group, to deliver optimum asset integrity, quality assurance and traceability, the system also improves safety and risk management levels.

CertMax

Marking

The POWERTEX Beam Clamp is equipped with a RFID (Radio-Frequency Identification) tag, which is a small electronic device, that consist of a small chip and an antenna. It provides a unique identifier for the beam clamp.



The POWERTEX Beam Clamp is **CE** and **UKCA** marked.

Standard: EN 13155

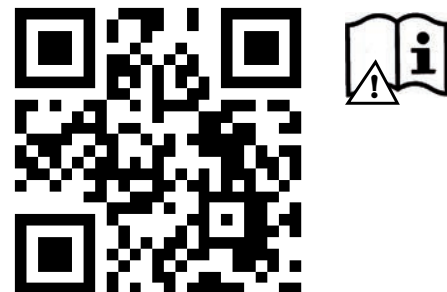


User Manuals

You can always find the valid and updated User Manuals on the web. The manual is updated continuously and valid only in the latest version.

NB! The English version is the Original instruction.

The manual is available as a download under the following link:
www.powertex-products.com/manuals



Product compliance and conformity

SCM Citra OY
Asessorinkatu 3-7
20780 Kaarina
Finland
www.powertex-products.com



POWERTEX

www.powertex-products.com