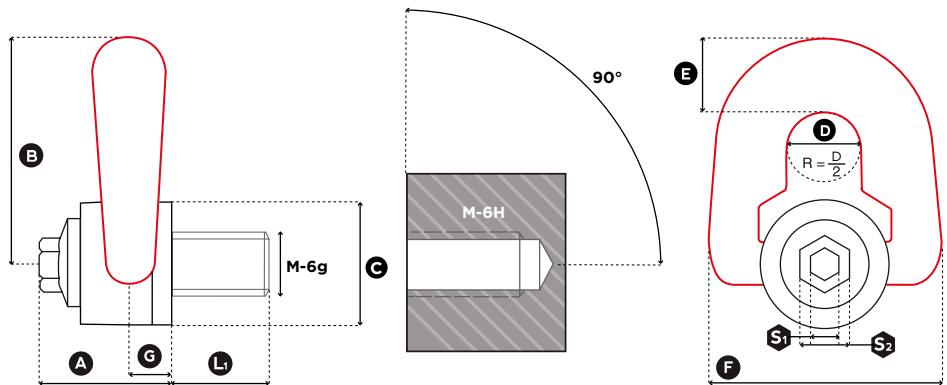
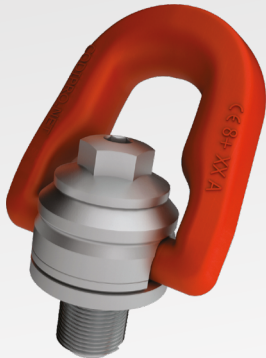


DSP

METRIC THREADS

DOUBLE SWIVEL LIFTING POINT

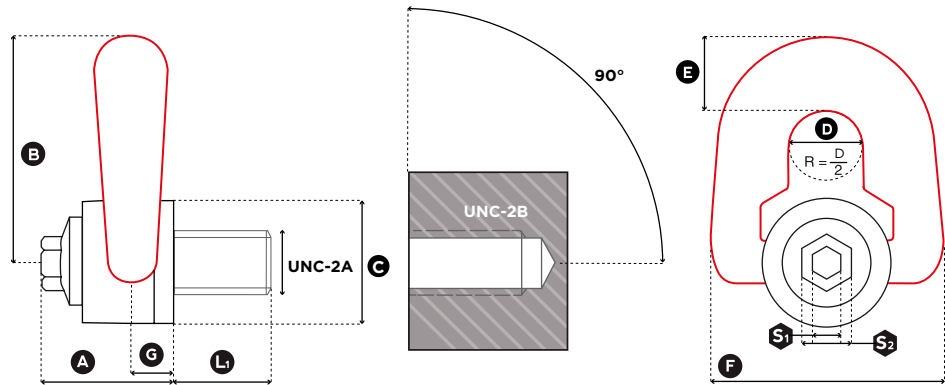
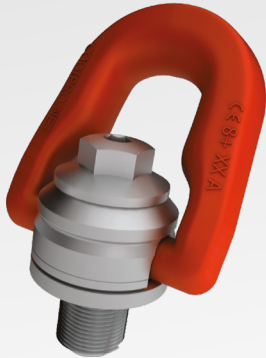


1 in = 25.4 mm

Reference	Diameter	SF 5:1 WLL (t)	Standard L ₁ (mm)	Torque (Nm)	S ₁ (mm)	S ₂ (mm)	A (mm)	B (mm)	C (mm)	D (mm)	E (mm)	F (mm)	G (mm)	Weight	
														(kg)	(lbs)
DSP M 8	M 8 (x1,25)	0,40	15	6	8	16	33	56	30	19	19	58	9,5	0,3	0.66
DSP M 10	M 10 (x1,50)	0,70	18	10	8	16	33	56	30	19	19	58	9,5	0,3	0.66
DSP M 12	M 12 (x1,75)	1,05	21	15	8	16	33	56	30	19	19	58	9,5	0,3	0.66
DSP M 14	M 14 (x2)	1,40	23	30	8	20	45	81	45	25	27	79	13	0,9	1.98
DSP M 16	M 16 (x2)	2,00	27	50	8	20	45	81	45	25	27	79	13	0,9	1.98
DSP M 18	M 18 (x2,5)	2,30	27	70	8	20	45	81	45	25	27	79	13	1,0	2.20
DSP M 20	M 20 (x2,5)	2,50	30	100	8	20	45	81	45	25	27	79	13	1,0	2.20

02.2024

DOUBLE SWIVEL LIFTING POINT

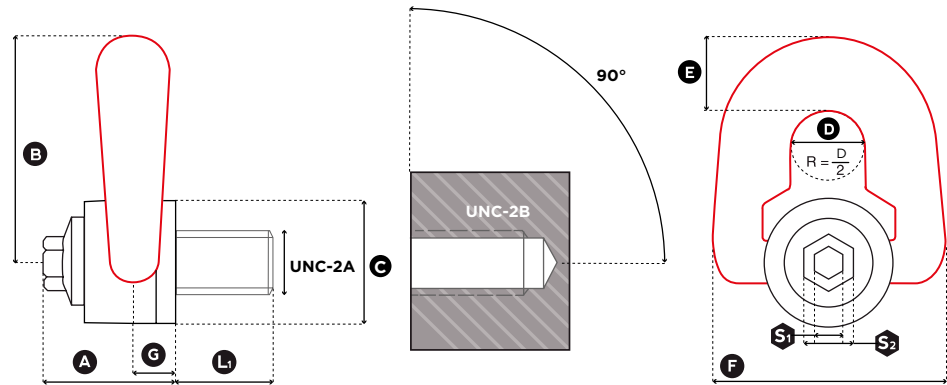
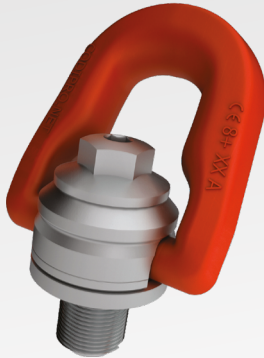


1 in = 25.4 mm

Reference	Diameter	SF 5:1 WLL (lbs)	Standard L ₁ (mm)	Torque (ft-lb)	S ₁ (mm)	S ₂ (mm)	A (mm)	B (mm)	C (mm)	D (mm)	E (mm)	F (mm)	G (mm)	Weight	
														(kg)	(lbs)
DSP U 516	UNC 5/16"-18	1,000	15	7	8	16	33	56	30	19	19	58	9,5	0,3	0.66
DSP U 038	UNC 3/8"-16	1,300	18	8	8	16	33	56	30	19	19	58	9,5	0,3	0.66
DSP U 050	UNC 1/2"-13	2,400	21	12	8	16	33	56	30	19	19	58	9,5	0,3	0.66
DSP U 058	UNC 5/8"-11	3,900	27	40	8	16	45	81	45	25	27	79	13	1	2.20
DSP U 075	UNC 3/4"-10	5,250	30	80	8	16	45	81	45	25	27	79	13	1	2.20

DSP

DOUBLE SWIVEL LIFTING POINT



1 in = 25.4 mm

Reference	Diameter	SF 5:1 WLL (lbs)	Standard L ₁ (inch)	Torque (ft-lb)	S ₁ (inch)	S ₂ (inch)	A (inch)	B (inch)	C (inch)	D (inch)	E (inch)	F (inch)	G (inch)	Weight	
														(kg)	(lbs)
DSP U 516	UNC 5/16"-18	1,000	0.59	7	0.31	0.63	1.30	2.20	1.18	0.75	0.75	2.28	0.37	0,3	0.66
DSP U 038	UNC 3/8"-16	1,300	0.71	8	0.31	0.63	1.30	2.20	1.18	0.75	0.75	2.28	0.37	0,3	0.66
DSP U 050	UNC 1/2"-13	2,400	0.83	12	0.31	0.63	1.30	2.20	1.18	0.75	0.75	2.28	0.37	0,3	0.66
DSP U 058	UNC 5/8"-11	3,900	1.06	40	0.31	0.63	1.77	3.19	1.77	0.98	1.06	3.11	0.51	1	2.20
DSP U 075	UNC 3/4"-10	5,250	1.18	80	0.31	0.63	1.77	3.19	1.77	0.98	1.06	3.11	0.51	1	2.20