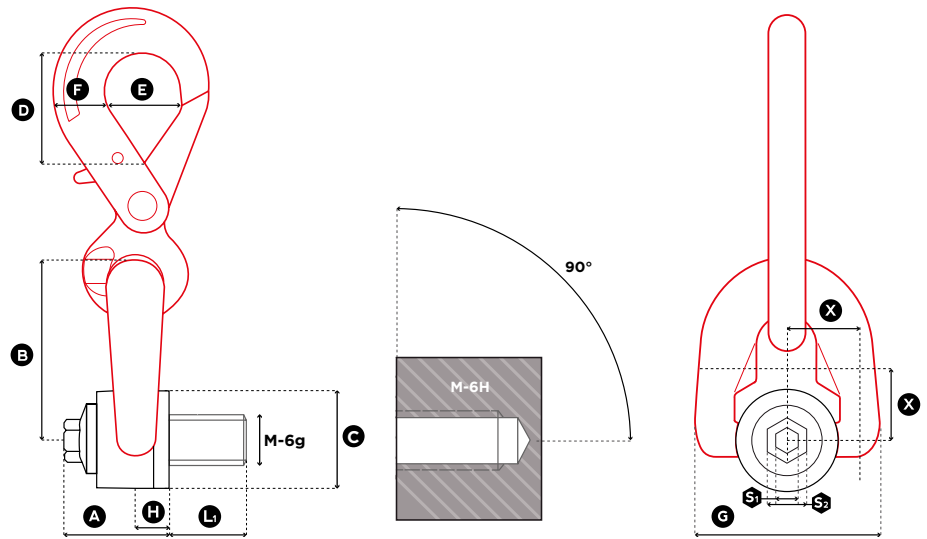


DOUBLE SWIVEL HOOK

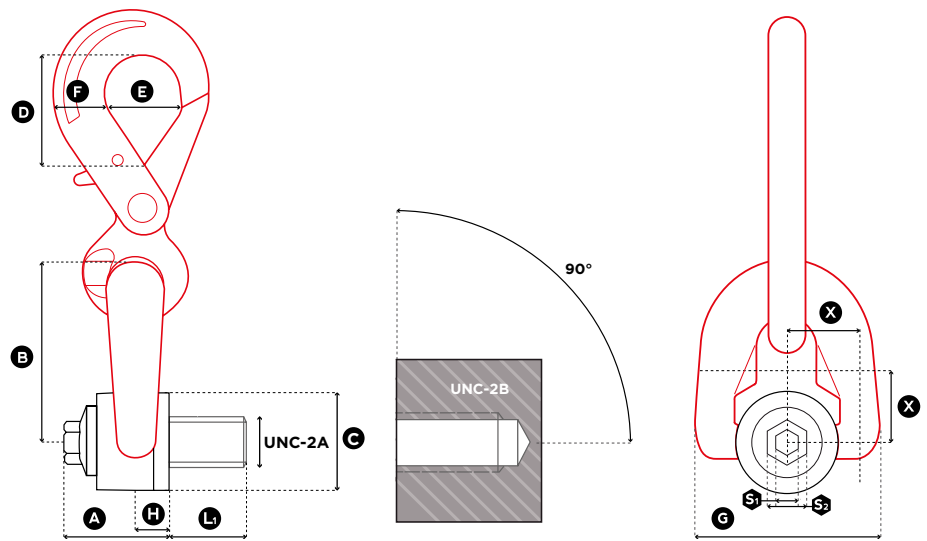


1 in = 25.4 mm

Reference	Diameter	SF 5:1 WLL (t)	Standard L1 (mm)	Torque (Nm)		S1 (mm)	S2 (mm)	A (mm)	B (mm)	C (mm)	D (mm)	E (mm)	F (mm)	G (mm)	H (mm)	Weight	
																(kg)	(lbs)
DSH M 8	M 8 (x1,25)	0,40	15	6	18	8	16	33	56	30	44	32	23	58	9,5	0,8	1.76
DSH M 10	M 10 (x1,50)	0,70	18	10	18	8	16	33	56	30	44	32	23	58	9,5	0,8	1.76
DSH M 12	M 12 (x1,75)	1,05	21	15	18	8	16	33	56	30	44	32	23	58	9,5	0,8	1.76
DSH M 14	M 14 (x2)	1,40	23	30	24	8	20	45	81	45	75	50	36	79	13,0	1,9	4.19
DSH M 16	M 16 (x2)	2,00	27	50	24	8	20	45	81	45	75	50	36	79	13,0	2,0	4.41
DSH M 18	M 18 (x2,5)	2,30	27	70	24	8	20	45	81	45	75	50	36	79	13,0	2,0	4.41
DSH M 20	M 20 (x2,5)	2,50	30	100	24	8	20	45	81	45	75	50	36	79	13,0	2,0	4.41

DSH

DOUBLE SWIVEL HOOK

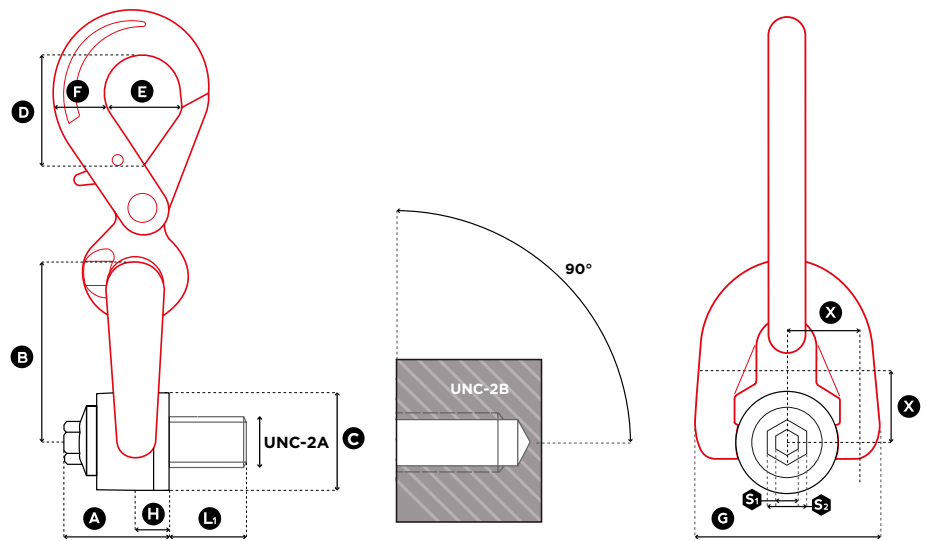


1 in = 25.4 mm


Reference	Diameter	SF 5:1 WLL (lbs)	Standard L ₁ (mm)	Torque (ft-lb)		S ₁ (mm)	S ₂ (mm)	A (mm)	B (mm)	C (mm)	D (mm)	E (mm)	F (mm)	G (mm)	H (mm)	Weight	
																(kg)	(lbs)
DSH U 516	UNC 5/16"-18	1,000	15	7	18	8	16	33	56	30	44	32	23	58	9,5	0,8	1.76
DSH U 038	UNC 3/8"-16	1,300	18	8	18	8	16	33	56	30	44	32	23	58	9,5	0,8	1.76
DSH U 050	UNC 1/2"-13	2,400	21	12	18	8	16	33	56	30	44	32	23	58	9,5	0,8	1.76
DSH U 058	UNC 5/8"-11	3,900	27	40	24	8	20	45	81	45	75	50	36	79	13	1,9	4.19
DSH U 075	UNC 3/4"-10	5,250	30	80	24	8	20	45	81	45	75	50	36	79	13	2	4.41

DSH

DOUBLE SWIVEL HOOK



1 in = 25.4 mm

Reference	Diameter	SF 5:1 WLL (lbs)	Standard L ₁ (inch)	Torque (ft-lb)		S ₁ (inch)	S ₂ (inch)	A (inch)	B (inch)	C (inch)	D (inch)	E (inch)	F (inch)	G (inch)	H (inch)	Weight	
																(kg)	(lbs)
DSH U 516	UNC 5/16"-18	1,000	0.59	7	0.71	0.31	0.63	1.30	2.20	1.18	1.73	1.26	0.91	2.28	0.37	0.8	1.76
DSH U 038	UNC 3/8"-16	1,300	0.71	8	0.71	0.31	0.63	1.30	2.20	1.18	1.73	1.26	0.91	2.28	0.37	0.8	1.76
DSH U 050	UNC 1/2"-13	2,400	0.83	12	0.71	0.31	0.63	1.30	2.20	1.18	1.73	1.26	0.91	2.28	0.37	0.8	1.76
DSH U 058	UNC 5/8"-11	3,900	1.06	40	0.94	0.31	0.79	1.77	3.19	1.77	2.95	1.97	1.42	3.11	0.51	1.9	4.19
DSH U 075	UNC 3/4"-10	5,250	1.18	80	0.94	0.31	0.79	1.77	3.19	1.77	2.95	1.97	1.42	3.11	0.51	2	4.41