

## GKS Perfekt Transportset L3/F3

### Product information

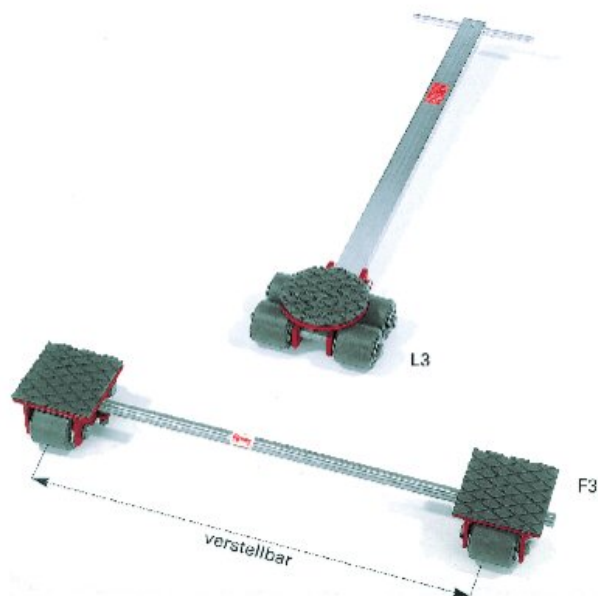


The GKS worldwide approved transport trolleys solving your in-house heavy load standards - safe and perfect! Series F and L – the perfect 3-point moving solution for safe and simple transport. F trolleys – the rear axle of the load moving system with adjustable connecting bar to fit under heavy loads of almost any width. L trolleys – the front steering support with swivel top and tow eye to guide your loads safely. Wheels - special GKS wheels, that do not mark floors. Low rolling resistance and highest stability for numerous uses.

#### L3/F3 set:

- Standard transport set for heavy loads up to 6 tons.
- Extremely low loading height.
- All transport trolleys from F/L3 to F/L18 are interchangeable due to identical loading height.

Contact us for more possibilities! Sets available up to 120 t.



Part Code	Type	Loading height mm	Number of wheels	Swivel plate dia. mm	Swivel plate steerable at	Wheels diameter mm	Width mm	Contact surface mm	LxW	Weight kg
16.99GKSL03	Front, steerable	110	4	170	± 90°	85x85	-	-	270x230	12
16.99GKSF03	Rear, stationary	110	4	-	-	85x85	300-1000	150x150	-	15

## Blueprint

